

High intensity led array, to cover wide zones or illuminate from great distances.

Depending of the set collocation we can use them as a darkfield (standing out the small relief and cracks) or like a downlight illuminator.

Thermal protection save it of the high temperatures.



LIGHTING TECHNIQUE

Lighting mode: Direct
 Light source: 3 LEDs 1W high intensity
 Colour (nm): See table 1
 LED life: Until 80.000 hours

MECHANICAL

LxWxH: See external plane
 Mounting: 2 (M4)
 Housing material: Black anodized aluminium
 Weight: 215 g

ELECTRICAL

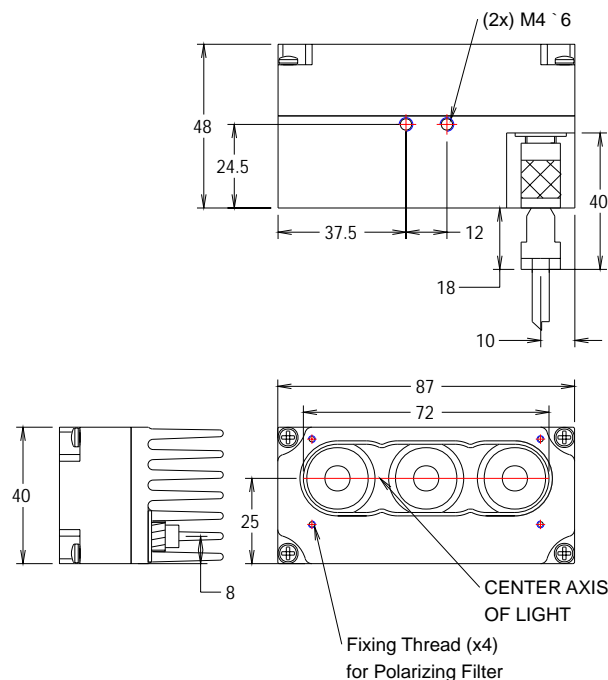
Max. power supply: 24VDC (Continuous models)
 Max. consumption: 350mA
 Wire include: VCC018 (See table 3)
 Wire terminal: Red -> 24VDC
 Blue -> 0V (GND)
 Green -> ON/OFF Control
 (ON: GND - OFF: Open)

ENVIRONMENTAL

Max. Operating Humidity: 95% non-condensing
 Operating temp: 0..40°C
 Storage temp: 0..60°C

EXTERNAL PLANE

ALL UNITS IN MILLIMETERS



PLC

MODELS

Table 1.

Ligth colour	Wavelength	Type	Reference*
Blue	470nm	Continuous	PLC0307A-470C
Green	525nm	Continuous	PLC0307A-525C
Red	630nm	Continuous	PLC0307A-630C
White	-----	Continuous	PLC0307A-W00C
Others	-----	----	Consult



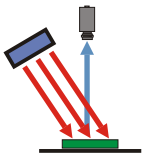
This system can be polarized. Add **/FPL** at the end of the reference for request it.

COMPLEMENTS

Complement	Type	Reference
Wire 1.8 m	Wire	VCC018
Wire 3.0 m	Wire	VCC030
Wire 5.0 m	Wire	VCC050

LIGHTING MODES

DOWN LIGHT PUNCTUAL LIGHTING (HARD)



The light produced by the leds array reaches directly the object. It produces a great contrast and emphasizes the textures, relief's and fissures of the lighted object. Because any relief, even a small one, produces a very defined shadow.

The incidence light angle regarding the lighting plane will determine the degree of the relief's projection. For very small angles regarding the horizontal, the light will produce shadows in the reliefs of the piece.

For angles near 90° with regard to the horizontal, the shadow will be visible just in great reliefs.

Its use is ideal for the detection of pieces and objects and its correct placement, in the detection of edges, scratches or fissures in a certain direction.