

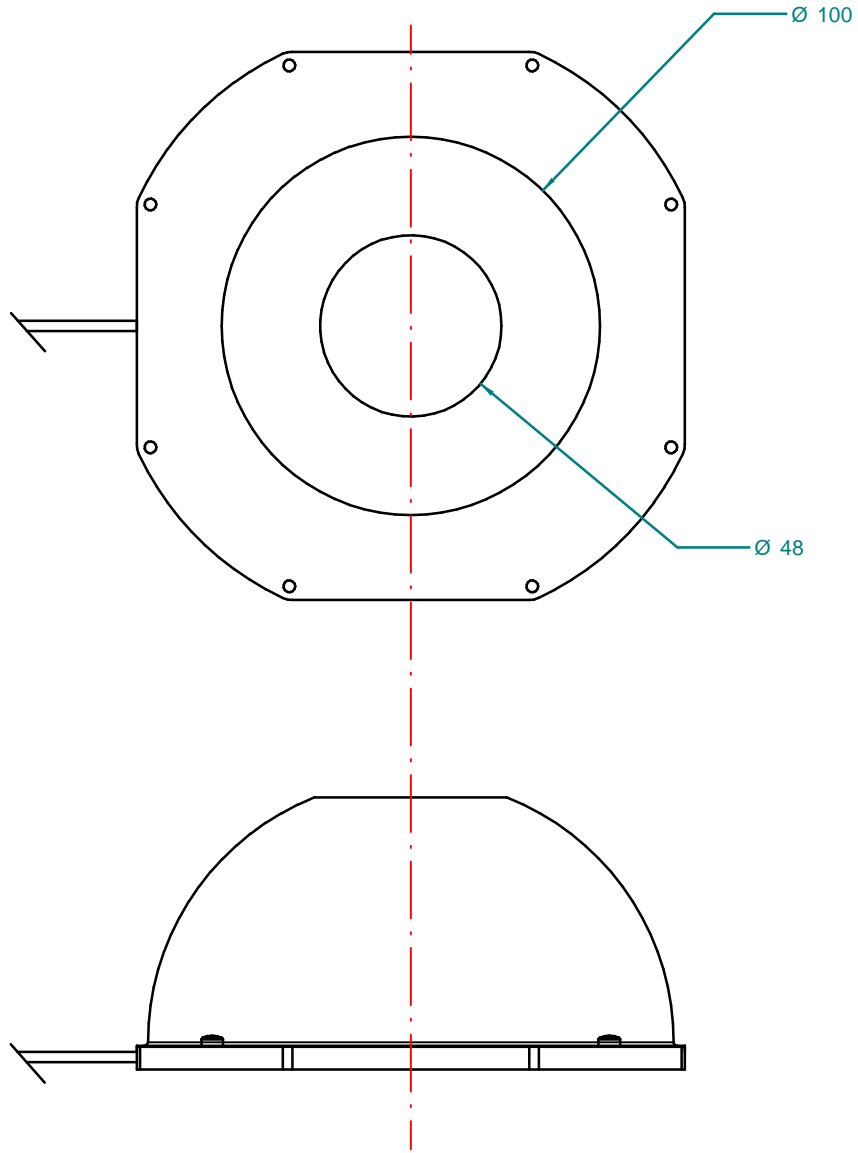




Drawn by:		File Name:	Sheet n°:	Size:	Date:	Scale:
			EXT-1	A4		1:2
Company:		Title/Name:				
		DOM1410 External Measures				
Reference:			Replace to:	Replaced by:		
DOM1410A						



Drawn by:		File Name:	Sheet n°:	Size:	Date:	Scale:
			EXT-2	A4		1:2
Company:		Title/Name:				
		DOM1410 External Measures				
Reference:			Replace to:	Replaced by:		
DOM1410A						