

“Cloudy Day” lighting equipment type.

The DMO0906 is designed to illuminate an object in all the directions being produced an effect of uniform illumination.

Ideal for shining spherical pieces or in which the reflection is desired to attenuate.



LIGHTING TECHNIQUE

Lighting mode: Cloudy day
Light source: 48 high intensity LEDs
Colour (nm): See table 1
LED life: Until 100.000 hours

MECHANICAL

LxWxH: See external plane
Mounting: 8 (Ø 3mm through)
Housing material: Black anodized aluminium
Weight: 125 g

ELECTRICAL

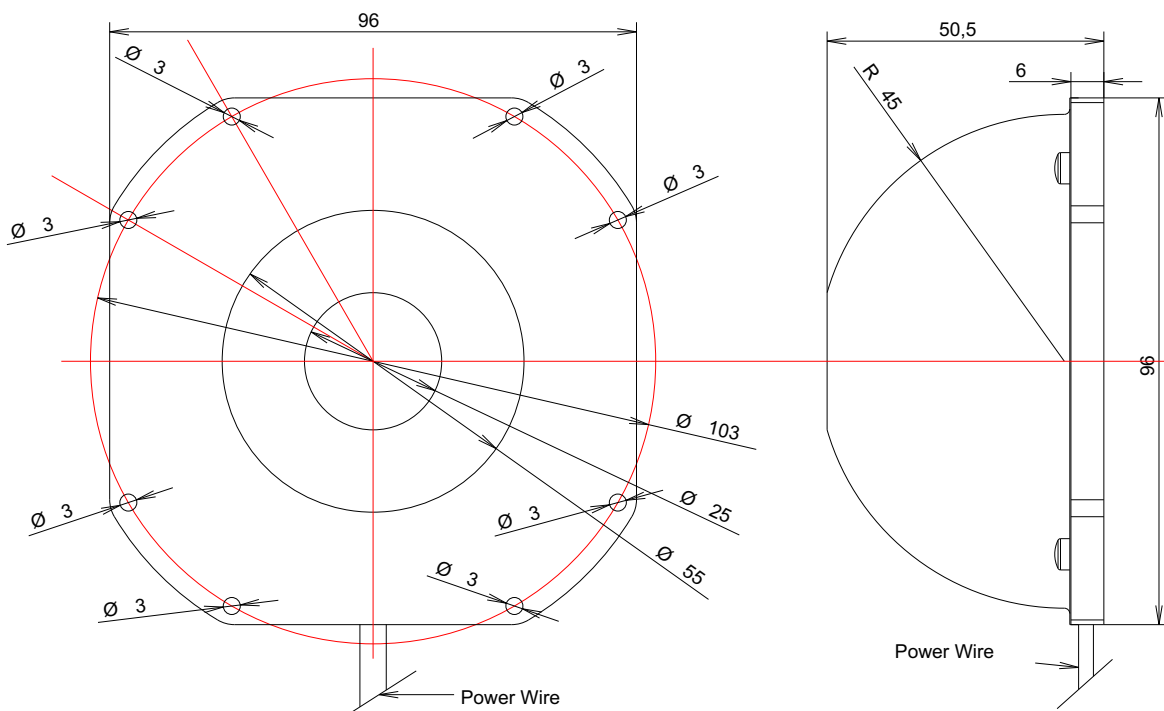
Max. power supply: 24VDC (Continuous models)
Max. consumption: 150 mA
Wire include: 1.8m
Wire terminal: Brown -> 24VDC
 Blue -> 0V (GND)

ENVIRONMENTAL

Max. Operating Humidity: 95% non-condensing
Operating temp: 0..40°C
Storage temp: 0..60°C

EXTERNAL PLANE

ALL UNITS IN MILLIMETERS



MODELS

Table 1.

Ligth colour	Wavelength	Type	Reference
Blue	470nm	Continuous	DOM0906A-470C
Blue	470nm	Strobe	DOM0906A-470S
Green	525nm	Continuous	DOM0906A-525C
Green	525nm	Strobe	DOM0906A-525S
Red	630nm	Continuous	DOM0906A-630C
Red	630nm	Strobe	DOM0906A-630S
White	----	Continuous	DOM0906A-W00C
White	----	Strobe	DOM0906A-W00S
Others	----	----	Consult

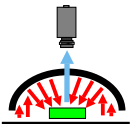
COMPLEMENTS

Table 2.

Complement	Type	Reference
Strobe controller with 3 outputs	Strobe	VST33I

LIGHTING MODES

DIFFUSE SPHERICAL ILLUMINATION (SMOOTH LIGHT)



The object is illuminated from all the directions with diffuse light, eliminating the shades and reflections, smoothing the textures and diminishing the influence of rays, the dust and the reliefs and curvatures that can have the inspected object. Indicated for the mark sensing of different colours, characters and detection of everything what as much supposes a change of colour in smooth surfaces, spherical, rough or with brightness.