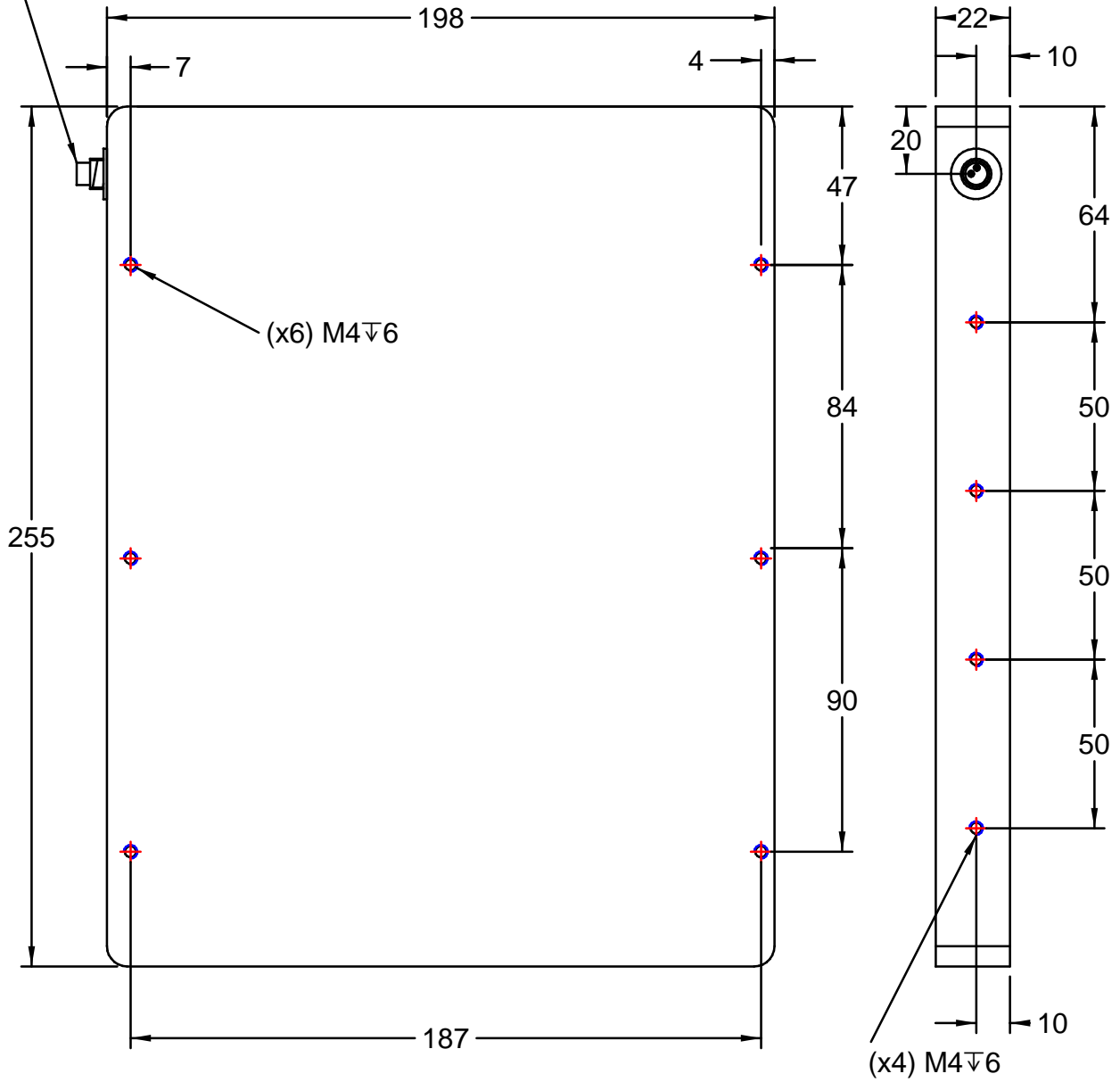




Drawn by:		All Dimensions in mm Tolerance class in accordance with ISO 2768 medium	Sheet n°: EXT-1	Size A4	Date	Scale: 1:2
Company 		Title/Name: BKL2518A - MAIN DIMENSIONS				
Reference: BKL2518A-EXT1			Replace to:	Replaced by:		

POWER
CONNECTOR



Drawn by:		All Dimensions in mm Tolerance class in accordance with ISO 2768 medium	Sheet n°: EXT-2	Size A4	Date	Scale: 1:2
Company  S I S T E M E S		Title/Name: BKL2518A - MAIN DIMENSIONS				
Reference: BKL2518A-EXT2			Replace to:	Replaced by:		