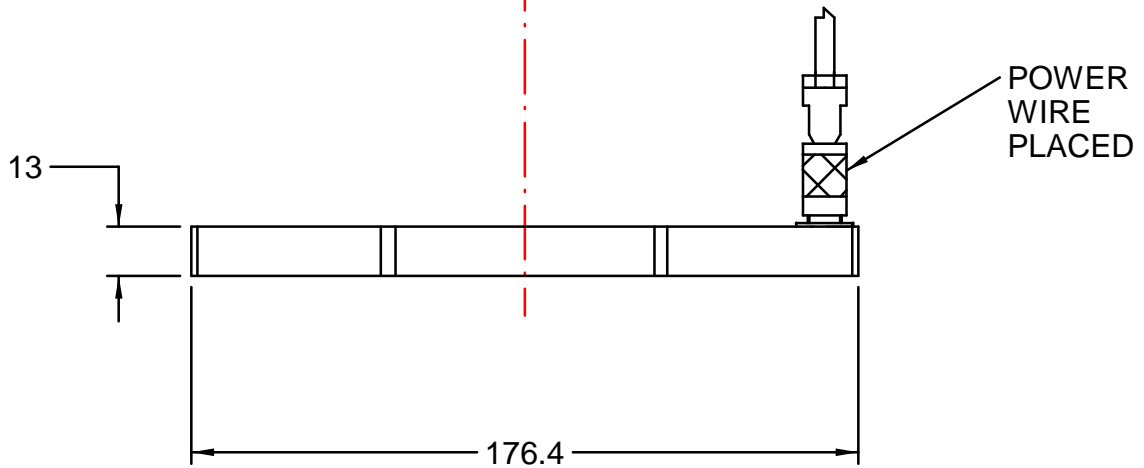
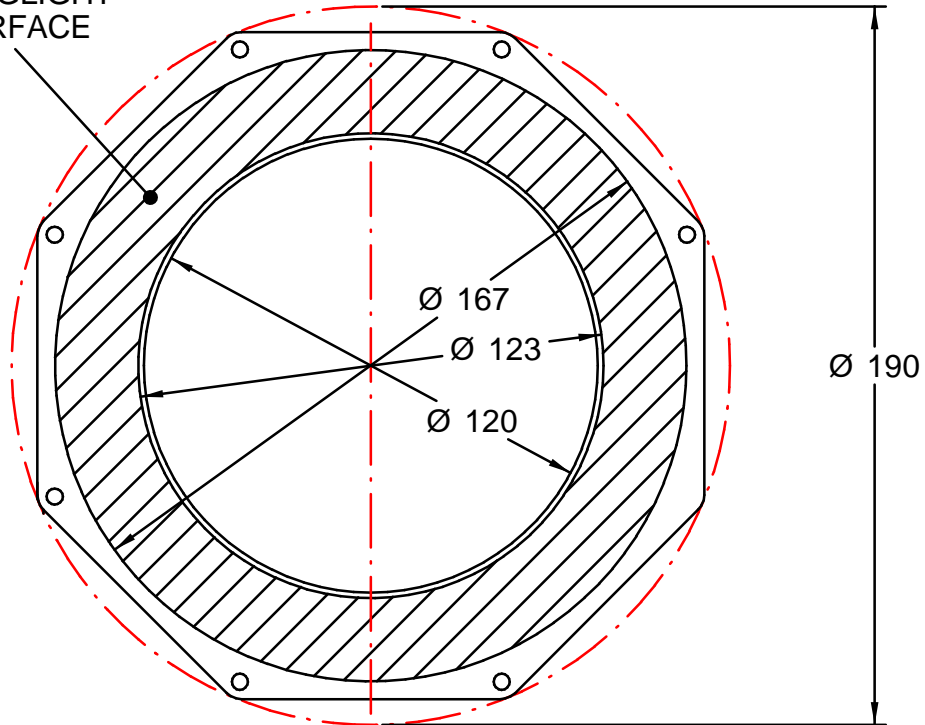


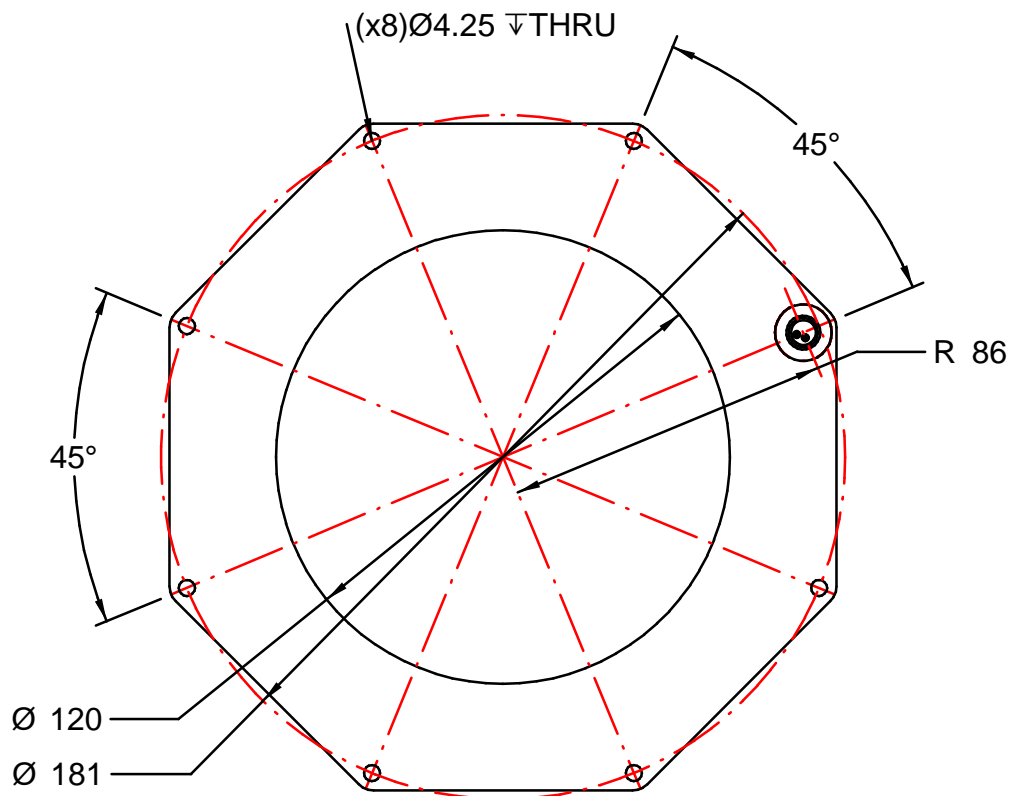




ACTIVE  
RINGLIGHT  
SURFACE



Drawn by:		All Dimensions in mm Tolerance class in accordance with ISO 2768 medium	Sheet n°: EXT01	Size A4	Date	Scale: 1:2
Company 		Title/Name: ALS1612A - MAIN DIMENSIONS				
Reference: ALS1612AEXT			Replace to:	Replaced by:		



Drawn by:		All Dimensions in mm Tolerance class in accordance with ISO 2768 medium	Sheet n°: EXT02	Size A4	Date	Scale: 1:2
Company 		Title/Name: ALS1612A - MAIN DIMENSIONS				
Reference: ALS1612AEXT			Replace to:	Replaced by:		